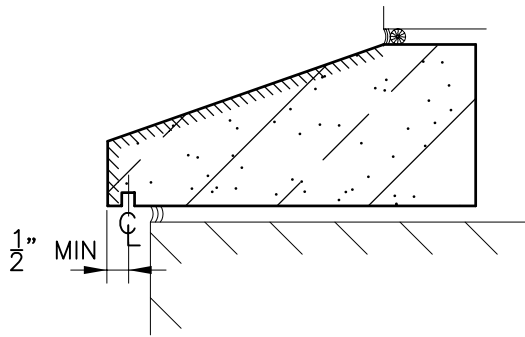


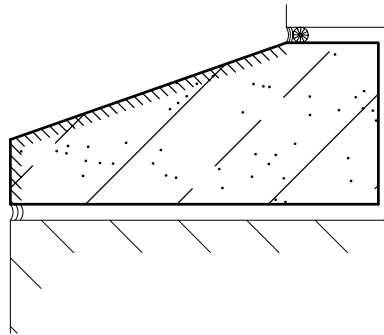
RAISED WINDOW SEAT SILL

THIS SILL CAN BE EITHER A SLIP SILL OR A LUG SILL WITH THE WINDOW SEAT RAISED



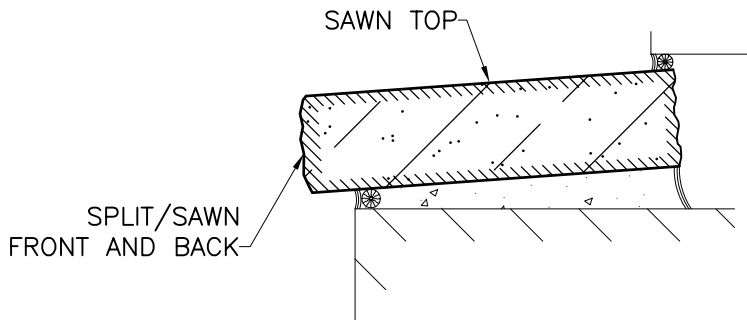
FLAT SEAT SILL / WATERTABLE

PROVIDES A FLAT HORIZONTAL SEAT FOR THE WINDOW



FLUSH SILL / WATERTABLE

A SILL THAT IS FLUSH WITH THE FACE OF THE WALL



SAWN & SPLIT SILL / WATERTABLE

A RECTANGULAR SILL SET IN A SLOPED MORTAR BED TO CREATE A WASH

