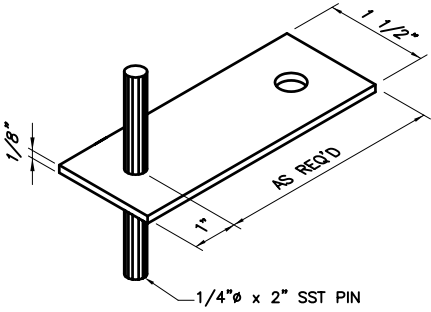
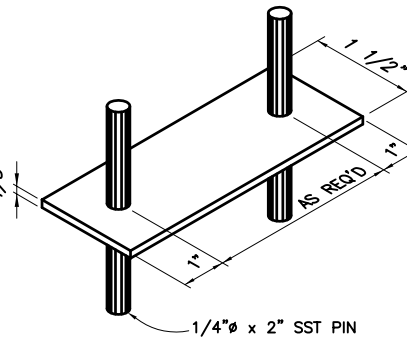
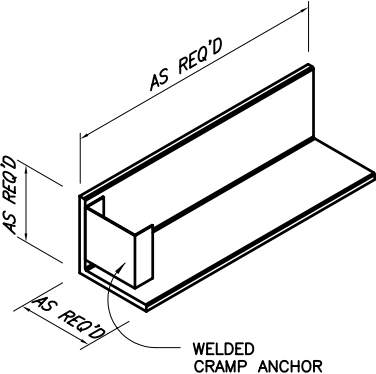
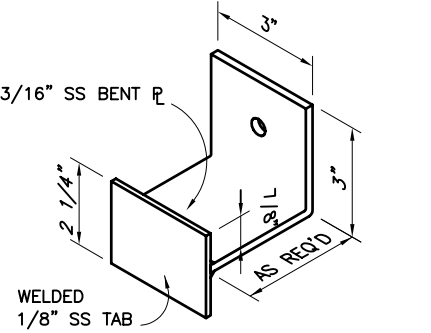
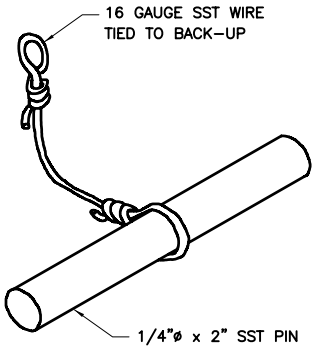
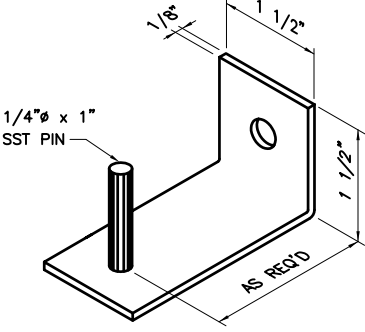

<p>2 RECOMMENDED STAINLESS STEEL RELIEVING ANGLE</p>	<p>3 RECOMMENDED STAINLESS STEEL RELIEVING ANGLE</p>	<p>4 RECOMMENDED STAINLESS STEEL RELIEVING ANGLE</p>
		
<p>5 RECOMMENDED STAINLESS STEEL PIN STRAP ANCHOR</p>	<p>6 RECOMMENDED STAINLESS STEEL STRAP ANCHOR</p>	<p>7 RECOMMENDED STAINLESS STEEL RELIEVING ANGLE</p>
		
<p>8 RECOMMENDED STAINLESS STEEL TOE BAR ANCHOR</p>	<p>9 RECOMMENDED STAINLESS STEEL WIRE TIE ANCHOR</p>	<p>10 RECOMMENDED STAINLESS STEEL PIN STRAP ANCHOR</p>

ANCHOR LIBRARY:

THE MAIN PURPOSE OF STONE ANCHORS IS TO HOLD THE STONE IN PLACE; IT IS RECOMMENDED THAT ALL ANCHORING AND BACK-UP SYSTEMS BE REVIEWED BY AN LICENSED ENGINEER.

