

INTERIOR APPLICATION			
COLOR	THICK	LENGTH	HEIGHT

KASOTA GOLD BLEND	1½"	2'-0"	2'-0"
	1"	1'-0"	1'-0"

KASOTA AMBER BLEND	1½"	2'-0"	2'-0"
	1"	1'-0"	1'-0"

KASOTA ASH BLEND	1½"	2'-0"	2'-0"
	1"	1'-0"	1'-0"

KASOTA CREAM BLEND	1½"	2'-0"	2'-0"
	1"	1'-0"	1'-0"

KASOTA ROSE BLEND	1½"	2'-0"	2'-0"
	1"	1'-0"	1'-0"

KASOTA SUNSET BLEND	1½"	1'-0"	1'-0"
	1"	1'-0"	1'-0"

KASOTA SUNRISE BLEND	1½"	1'-0"	2'-0"
	1"	1'-0"	2'-0"

EXTERIOR APPLICATION			
COLOR	THICK	LENGTH	HEIGHT

KASOTA GOLD BLEND	(NA)	(NA)	(NA)

KASOTA AMBER BLEND	2"+	2'-6"	2'-6"

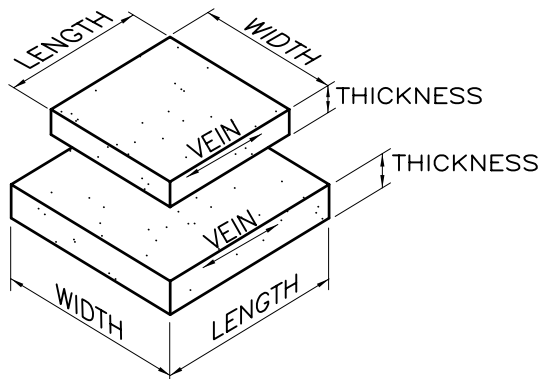
KASOTA ASH BLEND	2"+	2'-6"	2'-6"

KASOTA CREAM BLEND	2"+	2'-6"	2'-6"

KASOTA ROSE BLEND	2"+	2'-6"	2'-6"

KASOTA SUNSET BLEND	2"+	1'-0"	1'-0"

KASOTA SUNRISE BLEND	2"+	1'-0"	2'-0"



**NOTES:**

\*SIZES SHOWN MAY VARY WITH CURRENT QUARRY CONDITIONS

\*CONTACT MKS OFFICES FOR SIZES OR THICKNESSES OTHER THAN SHOWN



**MANKATO**  
Kasota Stone, Inc.

**PAVER SIZE LIMITATIONS**  
**CUT: FLEURI**

**64**

LAST REVISED: 9-29-2009